

### Specifications

Models	Z-30/20N DC		Z-30/20N RJ DC	
Measurements	US	Metric	US	Metric
Working height maximum*	36 ft	11.14 m	35 ft 2 in	10.89 m
Platform height maximum	30 ft	9.14 m	29 ft 2 in	8.89 m
Horizontal reach maximum	21 ft 5 in	6.53 m	20 ft 6 in	6.25 m
Up and over clearance maximum	12 ft 8 in	3.86 m	12 ft 8 in	3.86 m
<b>A</b> Platform length	2 ft 6 in	0.76 m	2 ft 6 in	0.76 m
<b>B</b> Platform width	3 ft 10 in	1.17 m	3 ft 10 in	1.17 m
<b>C</b> Height - stowed	6 ft 6.5 in	2 m	6 ft 6.5 in	2 m
<b>D</b> Length - stowed	16 ft 9 in	5.11 m	17 ft 5 in	5.31 m
<b>E</b> Storage height	6 ft 7 in	2.08 m	7 ft 4 in	2.24 m
<b>F</b> Storage length	11 ft 6 in	3.5 m	12 ft	3.66 m
<b>G</b> Width	3 ft 11 in	1.19 m	3 ft 11 in	1.19 m
<b>H</b> Wheelbase	5ft 2 in	1.58m	5ft 2 in	1.58m
<b>A</b> Ground clearance - center	3.5 in	0.09 m	3.5 in	0.09 m

### Productivity

Lift capacity	500 lb	227 kg	500 lb	227 kg
Platform rotation	180°		180°	
Vertical jib rotation	139°		139°	
Horizontal jib rotation	—		180°	
Turntable rotation	355° non-continuous		355° non-continuous	
Turntable tailswing	zero		zero	
Drive speed - stowed	3.0 mph	4.8 km/h	3.0 mph	4.8 km/h
Drive speed - raised**	0.68 mph	1.1 km/h	0.68 mph	1.1 km/h
Gradeability - stowed***	35%		35%	
Turning radius - inside	5 ft 5 in	1.65 m	5 ft 5 in	1.65 m
Turning radius - outside	10 ft 7 in	3.23 m	10 ft 7 in	3.23 m
Controls	24 V DC proportional		24 V DC proportional	
Tires - solid non-marking	22x7x17.75 in	.56x.18x.45 m	22x7x17.75 in	.56x.18x.45 m

### Power

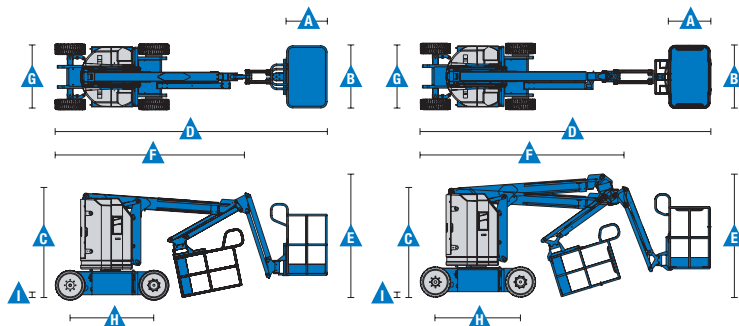
Power source	48 V DC (eight 6 V batteries 350 Ah capacity)	48 V DC (eight 6 V batteries 350 Ah capacity)
Auxiliary power unit	24 V DC	24 V DC
Hydraulic tank capacity	4 gal	15.1 L

### Weight\*\*\*\*

	14,170 lb	6,428 kg	14,220 lb	6,450 kg
--	-----------	----------	-----------	----------

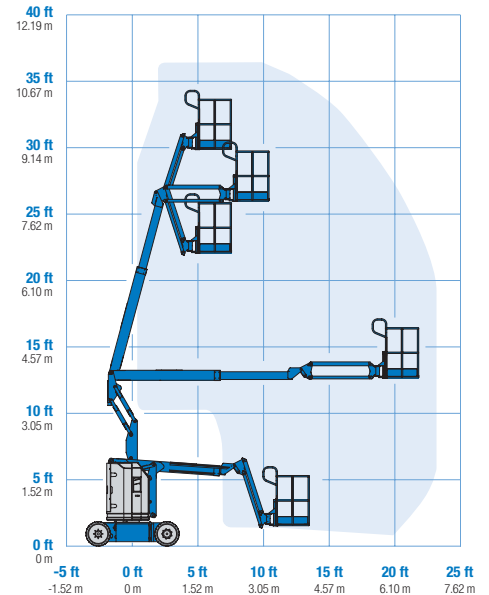
### Standards Compliance

ANSI A92.5, CSA B354.4, EN 280, AS 1418.10

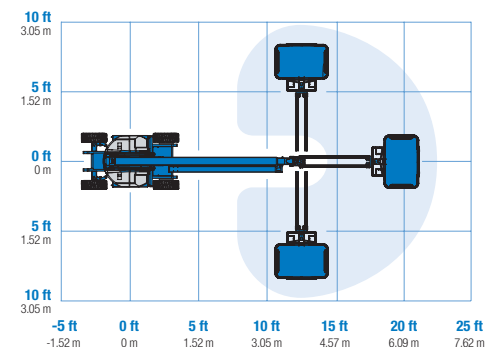
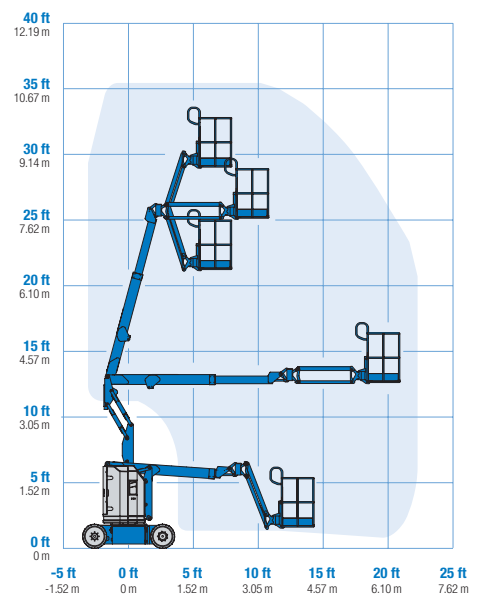


\* The metric equivalent of working height adds 2 m to platform height. U.S. adds 6 ft to platform height.  
 \*\* In lift mode \*(platform raised), the machine is designed to be operated on firm, level surfaces only.  
 \*\*\* Gradeability applies to driving on slopes. See operator's manual for details regarding slope ratings.  
 \*\*\*\* Weight will vary depending on options and/or country standards.

### Range Of Motion Z-30/20N



### Range Of Motion Z-30/20N RJ



### Features

#### Standard Features

##### Measurements

##### Z-30/20N

- 36 ft (11.14 m) working height
- 21 ft 5 in (6.53 m) horizontal reach
- 12 ft 8 in (3.86 m) up and over clearance
- Up to 500 lb (227 kg) lift capacity

##### Z-30/20N RJ

- 35 ft 2 in (10.89 m) working height
- 20 ft 6 in (6.25 m) horizontal reach
- 12 ft 8 in (3.86 m) up and over clearance
- Up to 500 lb (227 kg) lift capacity

##### Productivity

- 4 ft (1.22 m) jib boom with 139° working range
- Self-leveling platform
- Hydraulic platform rotation
- Proportional joystick controls
- Thumb rocker steer
- Drive enable
- AC power cord to platform
- Alarm package: flashing beacon and travel alarm
- Horn
- Hour meter
- Tilt alarm
- Descent alarm
- Zero tailswing and front arm swing
- 355° non-continuous turntable rotation
- Lift Guard™ Contact Alarm
- Dual parallelogram for vertical wall tracking

##### Power

- 48 V DC deep cycle battery pack
- 24 V DC auxiliary power
- Universal 30A battery smart charger

#### Easily Configured To Meet Your Needs

##### Platform

- Steel 3 ft 10 in (1.17 m) with sliding mid-rail

##### Jib Options

- 4 ft (1.22 m) jib boom
- 4 ft (1.22 m) horizontal rotating jib boom

##### Power

- 48 V DC power source

##### Drive

- 2WD

##### Tire

- Solid rubber non-marking



#### Options & Accessories

##### Productivity

- Platform swing gate
- Lift Guard Platform Mesh - Half
- Lift Guard Platform Mesh - Full
- Platform top auxiliary rail
- Air line to platform
- Specialty hydraulic oil (cold weather, fire resistant or biodegradable)
- Aircraft protection package (Not available on RJ model)\*
- Hostile environment kit
- Fluorescent tube caddy \*\*
- Pipe cradle (pair) \*\*
- Light package
- Lockable platform control box cover

##### Power

- AGM batteries
- EE UL583 Fire Protection rating
- Battery charge indicator (BCI)
- Low voltage interrupt with BCI
- 800 watt 120VAC power inverter

\* Reduces platform weight capacity to 440 lb

\*\* Available through aftermarket parts only

#### Genie United States

6464 185th Ave. NE  
Redmond, WA 98052  
Telephone +1 (425) 881-1800  
Toll Free in USA/Canada +1 (800)-536-1800  
Fax +1 (425) 883-3475

#### Distributed By: